

Aluminium furniture systems



IDEAS BRING ROOMS TO LIFE

BE BOLD! Combinations that take your fancy · **THAT'S SMART**

Multifunctional shelving systems · **PLEASING TO THE TOUCH** Handle systems for every style



Ideas bring rooms to life.

Our lifestyles are changing. Today's lifestyles are characterised by flexibility, different ways of thinking, playing with new ideas, and spontaneity. This is accompanied by the awareness of true values such as quality, sustainability and focusing on the essentials.

Our living spaces are changing. In the mornings, it's a place to work; at lunch, it's a place to eat. Today a living room, tomorrow a home office. The kitchen has become the centre point for our daily lives, while even the bathroom is taking on a new importance, becoming a place to relax.

Our working environments are changing. Coworking spaces encourage teamwork and wellbeing at work. Sofas and cafeterias are making their way into offices.

All these changes are setting new benchmarks for furniture – the more flexible, the better. With its endless application and combination options, Schüco Openstyle, for example, focuses on these new values of transparency, openness and spontaneity. Then there's Schüco Smartcube, a truly unique shelving system in terms of flexibility. The product concept is both simple and complex, as are the stand systems which bear the weight of every table and piece of furniture. Be inspired by the countless possibilities for designing your individual space!

Your Schüco team

Contents

Room design system

6

Schüco Openstyle room design system



Sliding door system

12

MST sliding door system

14

MST handle profiles, frame profiles and guide tracks

16

MST accessories

16

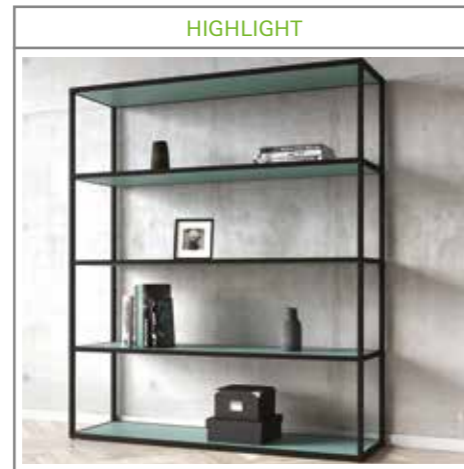
MST floor tracks



Shelf systems

18

Schüco Smartcube shelving system



22

Schüco Smartframe shelving system

24

Schüco Mandeo shelving system

26

Schüco Illumacube shelving system



Stand systems

28

Schüco Cone stand system

30

Schüco Frame stand system

32

Schüco Stair furniture leg

32

Plinth system

Handle systems

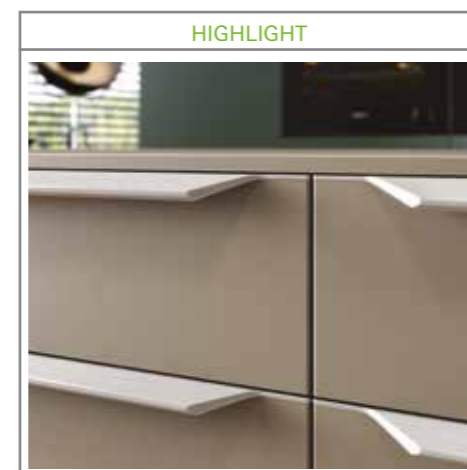
34

Schüco Divaro design cover



36

Handlebars



40

Concealed handlebars

40

Handle recess

42

Recessed handles



Frame systems

44

Glass frame systems



46

Glass frame profiles – bonded panes

46

Edge and front frame profiles

Midway and wall systems

48

Schüco Kreativo wall system

50

Midway system 16

52

Midway system 4-18

52

Panel system

54

Schüco Groove hanging rail

54

Schüco Groove wall attachment profile

56

Accessories for midway and wall systems



System components

58

Schüco Spaceline drawer organiser



60

Schüco Tara storage recess



62

Lighting profile

62

CD and DVD rack

64

Connecting profiles for worktops

64

Carcase corner cleat profiles

66

Ventilation grille

66

Roller shutter systems

Schüco Openstyle room design system

The new open-plan



Our living spaces are demanding more and more flexibility and multifunctionality. Living spaces grow together, merge into one, while walls disappear or dissolve into glass areas. With its light, slender architecture, Schüco Openstyle offers a range of options for the flexible design of open-plan spaces. Timeless design and high stability connect and separate living areas.

Thorsten Rosenstengel, byform produktdesign



What does inspiration mean?

Something new, unusual or creative. Focusing on the essentials. Bringing form and function together in harmony. Schüco Openstyle is the perfect product for creative, individual room design. The system is flexible, light, transparent and can be used anywhere, providing endless inspiration for new lifestyles and interior designs.

6

7

Schüco Openstyle room design system

Combinations that take your fancy

Schüco Openstyle works in any living space. In the kitchen, it's a practical midway system or it separates the utility room, while in the bathroom it can partition the shower area, or provide attractive screening in a dressing room. The range of designs and number of accessories make for countless combinations, free design and customised use.



Benefits

- High design variety
- Flexible use
- Designed for 16 and 19 mm panel material
- Can be used as a fixed or moving unit
- Custom division with bars is possible

8

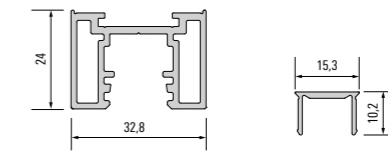
9

Schüco Openstyle room design system

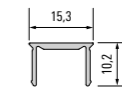
Functional flair



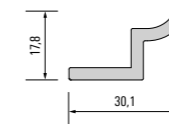
Schüco Openstyle room design system



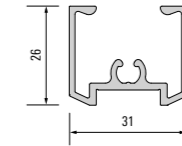
928 183
Handle



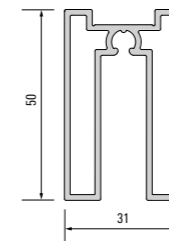
928 184
Cover strip



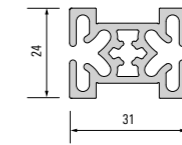
928 185
Mounting rail



928 186
Frame, top / bottom



928 187
Frame under roller fitting



928 188
Bar



One concept, countless possibilities. The basic components of Schüco Openstyle are compatible with the Schüco Interior Systems sliding door system and open up countless possible uses. The system provides everything a contemporary office needs, with maximum functionality and a comfortable working environment.

The office is the new living room



MST sliding door system

Just keeps running ... and running ... and running



Suddenly a
new room is
created



12

Sliding door
system

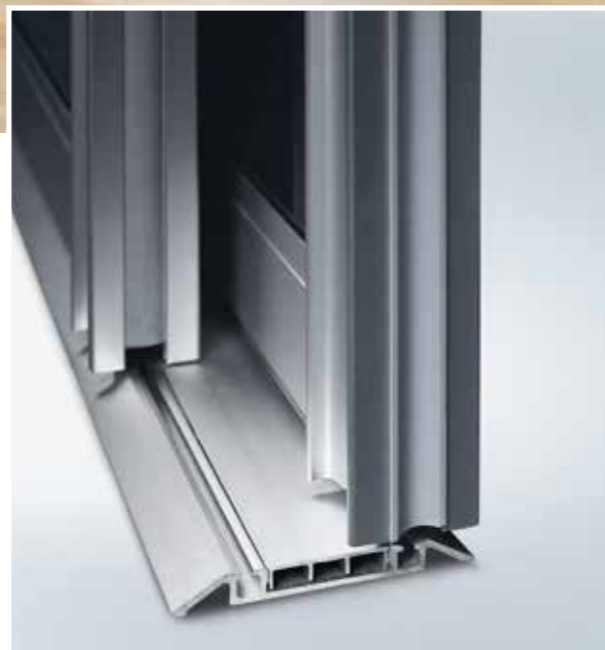
The sliding door system operates with barely a sound as it divides up spaces, creates new rooms or is fitted to wardrobes – whatever your lifestyle requires. It can be used in alcoves and sloping areas. The infills can be customised, with or without bars.

13

Sliding door
system

MST handle profiles, frame profiles and guide tracks

Perfect in every respect

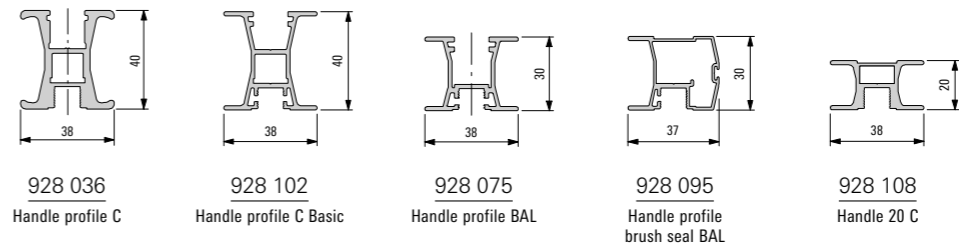


The handle and frame profiles complete the outstanding quality of the sliding door system, with technical perfection in an elegant design. Doors run along the guide tracks softly and almost noiselessly.

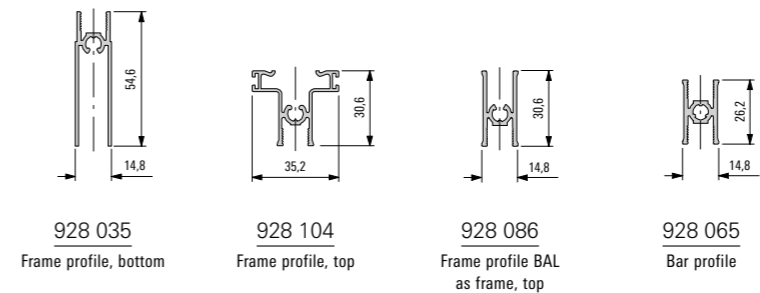
Benefits

- Smooth operation due to the top guide rollers
- Quiet operation thanks to self-centring track guide
- Possible door sizes of 2.00 m x 3.00 m (W x H)
- Possible door weights up to 100 kg
- System can be extended as required

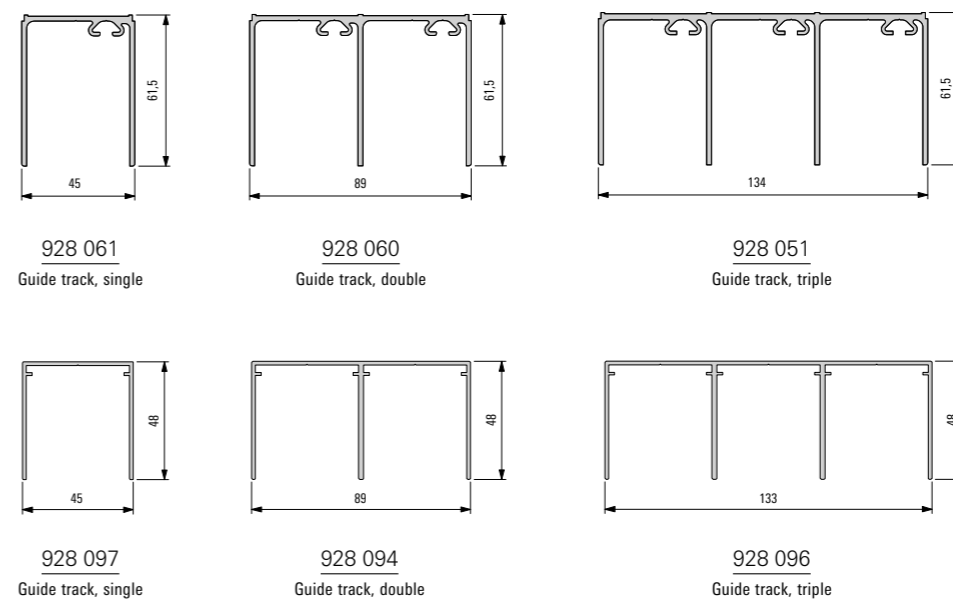
MST handle profiles



MST frame and bar profiles

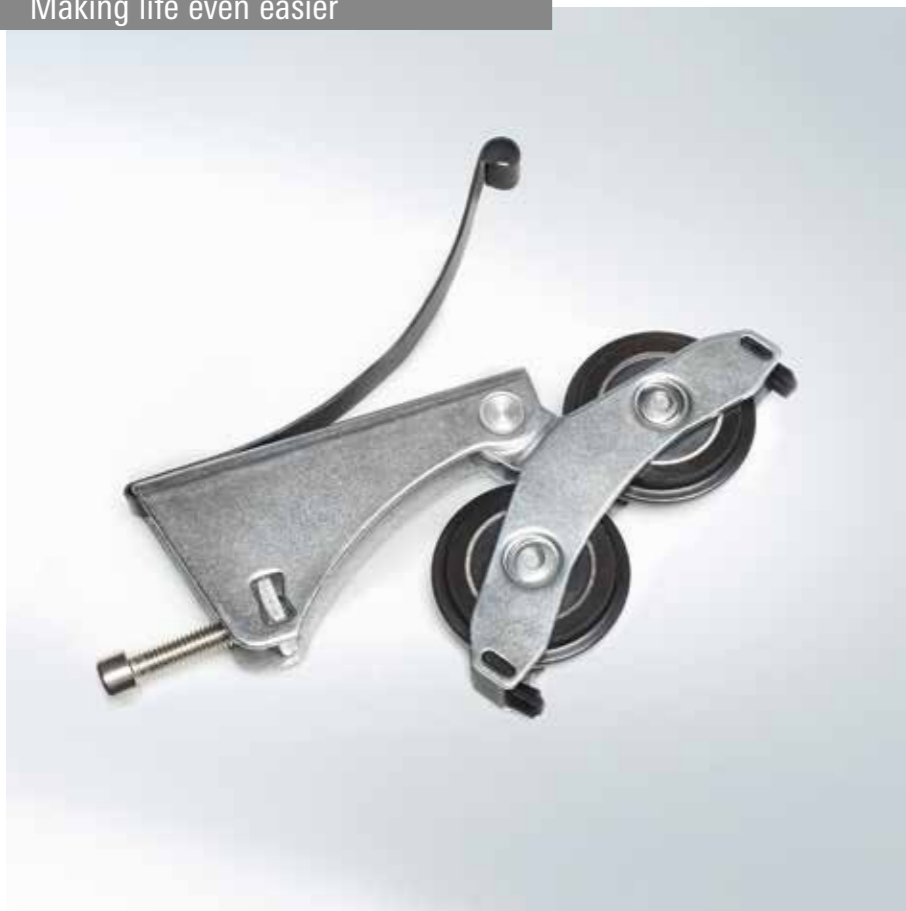


MST guide tracks



MST accessories

Making life even easier




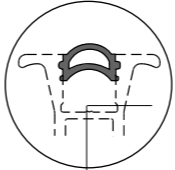
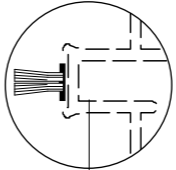
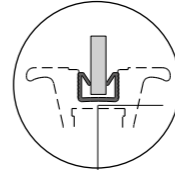
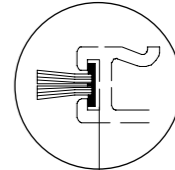


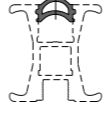
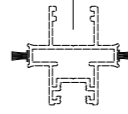
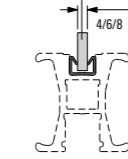
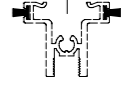


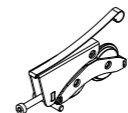
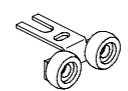
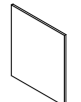
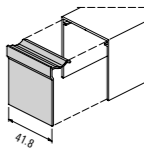
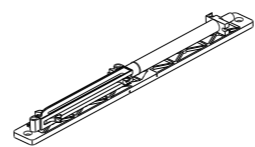
Brush seal carrier in the guide track protects against dirt and dust.

Roller carriage in the guide track – higher load-bearing capacity and smooth operation.

Rebate gasket – shock absorber for the rebate on the frame profile.

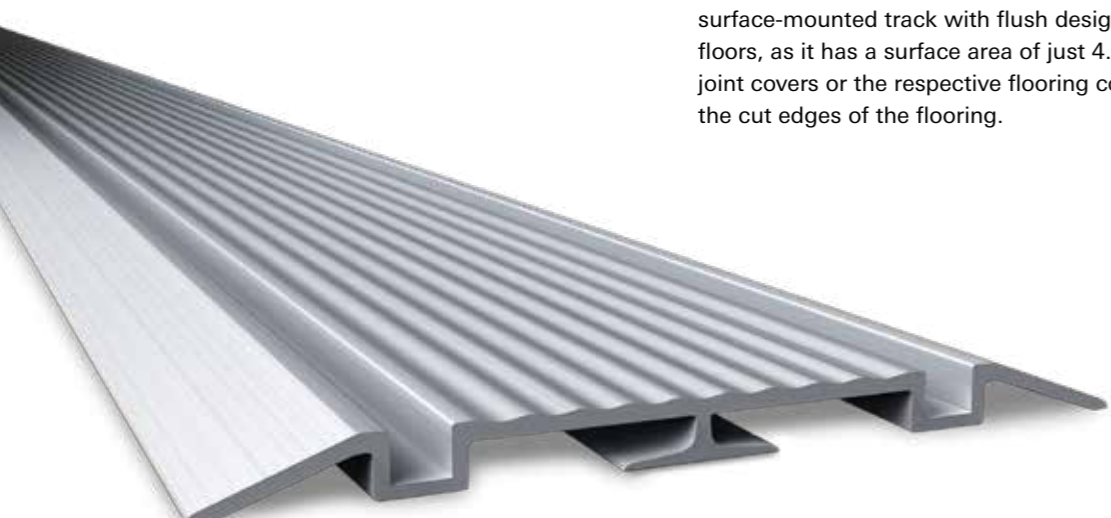
Soft closer – can be used for door widths from 540 mm (from 930 mm on both sides). It slows down the door, draws it in and holds it in position.

MST accessories

					
551 207 Rebate gasket					
					
170 111 Schüco sticker	552 617 Rebate gasket	552 457 Gasket for profile 928 084	552 637 Infill frame edge profile for 4 mm thickness	552 447 Brush seal carrier for profile 928 104, 928 095, 928 101	
			552 647 Infill frame edge profile for 6 mm thickness		
			552 657 Infill frame edge profile for 8 mm thickness		
					
552 697 End stop in guide track	552 074 End stop in track	552 529 Roller carriage	552 899 Guide rollers	552 900 / 552 920 552 930 Cover plate for 61 mm guide track	928 099 Cover plate for 48 mm guide track
					
		552 669.01/02 Class I: 10-20 kg 552 679.01/02 Class II: 20-40 kg 552 699.01/02 Class III: 40-60 kg 552 689.01/02 Class IV: 60-100 kg Soft closer for 61 mm guide track, left/right, including pilot pin	552 669.03 Class I: 10-20 kg 552 679.03 Class II: 20-40 kg 552 699.03 Class III: 40-60 kg 552 689.03 Class IV: 60-100 kg Soft closer for 48 mm guide tracks		

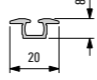
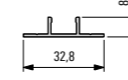
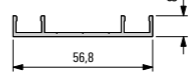


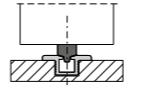
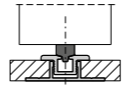
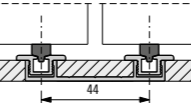
MST floor track

Unobtrusive style

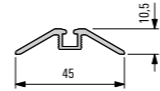
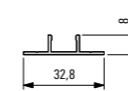
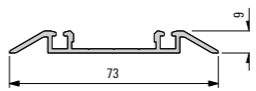
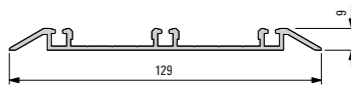
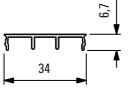
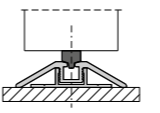
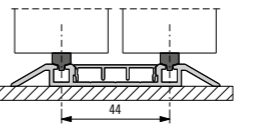
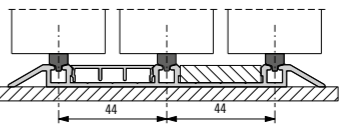


The discreet floor tracks are available as an embedded or surface-mounted version. The right choice depends on the type of floor covering. The surface-mounted track with flush design is perfect for stone and timber floors, as it has a surface area of just 4.5 mm. With multiple tracks, discreet joint covers or the respective flooring conceal any areas of unevenness at the cut edges of the flooring.

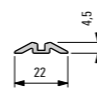
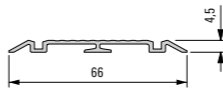
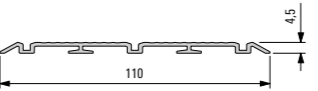
Embedded floor tracks, with joint cover

				
928 041 Track for floor rails	928 045 Floor rail, single-track	928 048 Floor rail, double-track	928 098 Cover	
				

Surface-mounted floor tracks

				
928 047 Track for floor rail 928 045	928 045 Floor rail, single-track	928 046 Track, double-track	928 053 Track, triple-track	928 044 Cover profile for tracks
				

Surface-mounted floor tracks, flush design

			
928 059* Track, single-track, flush, for bonding	928 063* Track, double-track, flush, for bonding	928 093* Track, triple-track, flush, for bonding	*No end stop possible

Schüco Smartcube shelving system

Much more than just a shape



A small, smart cube which offers plenty of creative freedom – cubes can be placed next to each other, on top of one another, on the wall, integrated in existing furniture or simply surface mounted. Schüco Smartcube works well anywhere – in the office, living room and kitchen, or wherever it is needed.

18



With an extremely wide range of possible uses, Schüco Smartcube can define an entire room design and add visual highlights – elegantly on the wall, integrated in the kitchen, and as single pieces of furniture such as a free-standing shelf or coffee table. The possibilities are endless.



Products and systems with wonderful use of materials are presented at raumprobe, the largest exhibition for construction products and new materials, in their own "miraculous materials" section. For these new spaces, we were looking for a system which can showcase the range of different materials in a grand frame. The requirements were varied: flexibility and a large number of configuration options, a slimline look and high stability. The system is designed as a space-defining structure and should not be too obtrusive (as it is supposed to frame the exhibits and not steal the show). There were also requirements for smart functions such as integrated lighting, sliding units and storage. We struck gold with Schüco Smartcube, which promised to fulfil everything we were looking for. When we were setting up, we were also impressed by the precision and perfect preconfiguration. We now have a new display shelf to showcase our materials, the simplicity of which impresses both us and our visitors. The Smartcube has quickly become a real talking point.

Hannes Bäuerle, raumprobe



19

Schüco Smartcube shelving system

One for all



Smartcube
is everywhere

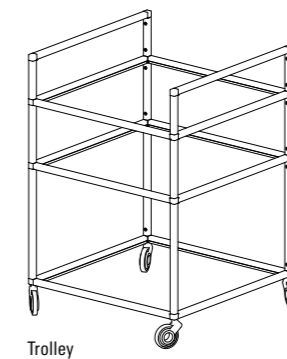
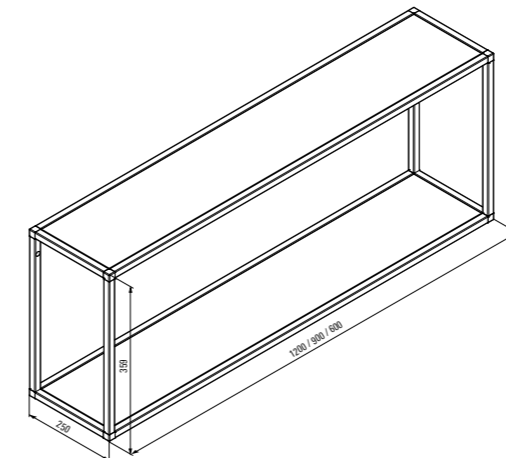
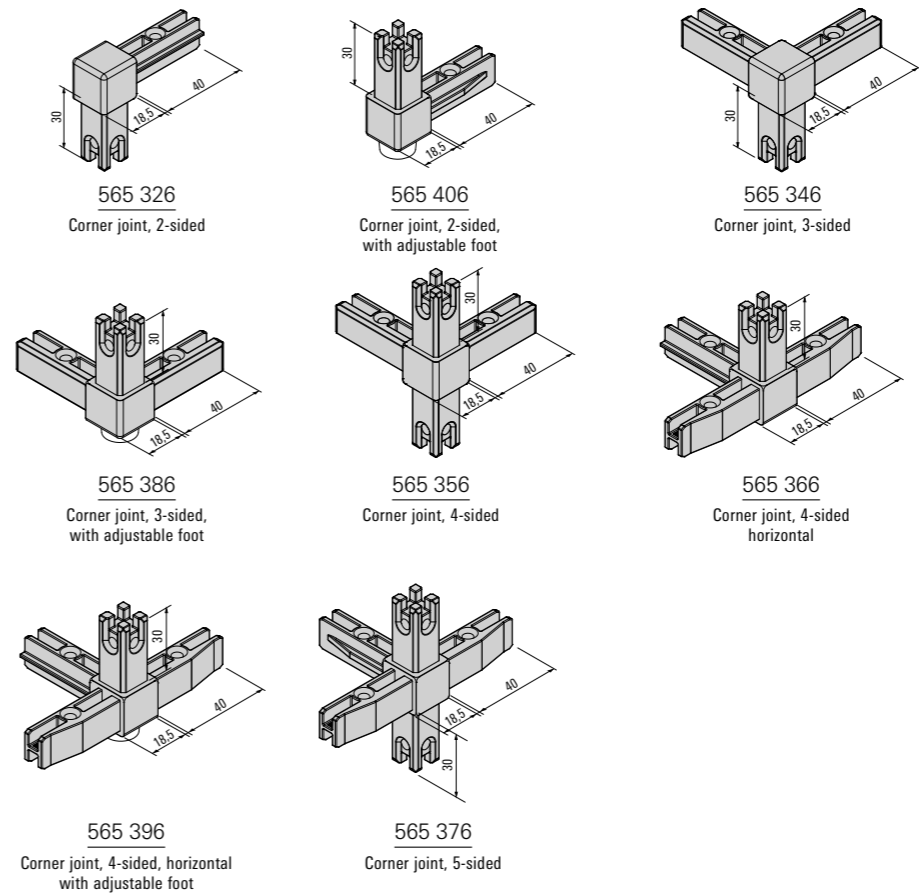
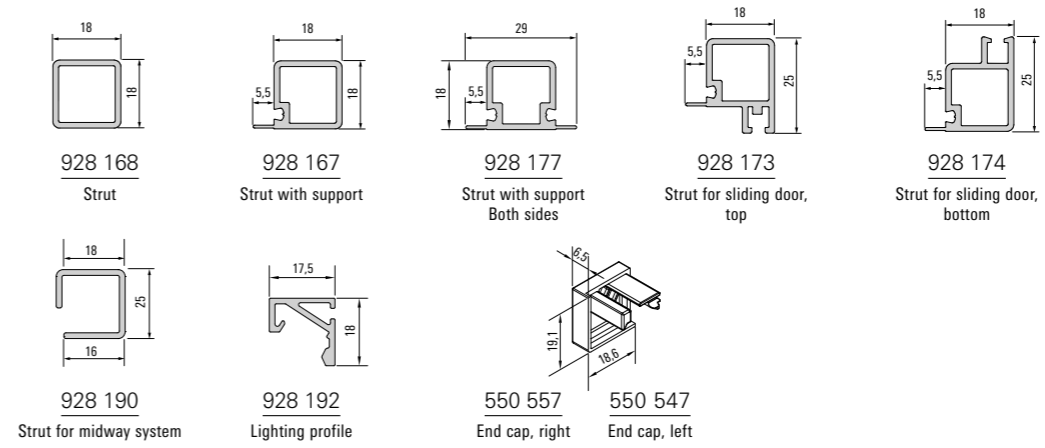
A sophisticated product concept lays the foundations for an unbeatable system which is unrivalled in terms of its flexibility – so simple yet so complex.

Benefits

- Modular, flexible use
- Available in stainless steel and anodised black
- Side parts are pre-assembled
- Simple handling by means of packed sets
- Wide selection of corner cleats means the maximum number of options are possible
- Versatile accessories available



Schüco Smartcube shelving system



Schüco Smartframe shelving system

Combination is key

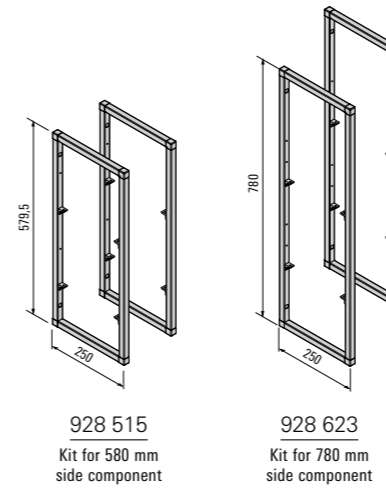
Ideas are welcome. Schüco Smartframe provides the framework for endless possibilities for use and arrangements. The basic structure is made up of elegant aluminium frames that are available in two sizes and which support the shelves.

Benefits

- Modular, flexible use
- Available in stainless steel and anodised black
- Multiple kits can be combined



Schüco Smartframe shelving system



Schüco Mandeo shelving system

The infinite shelving system

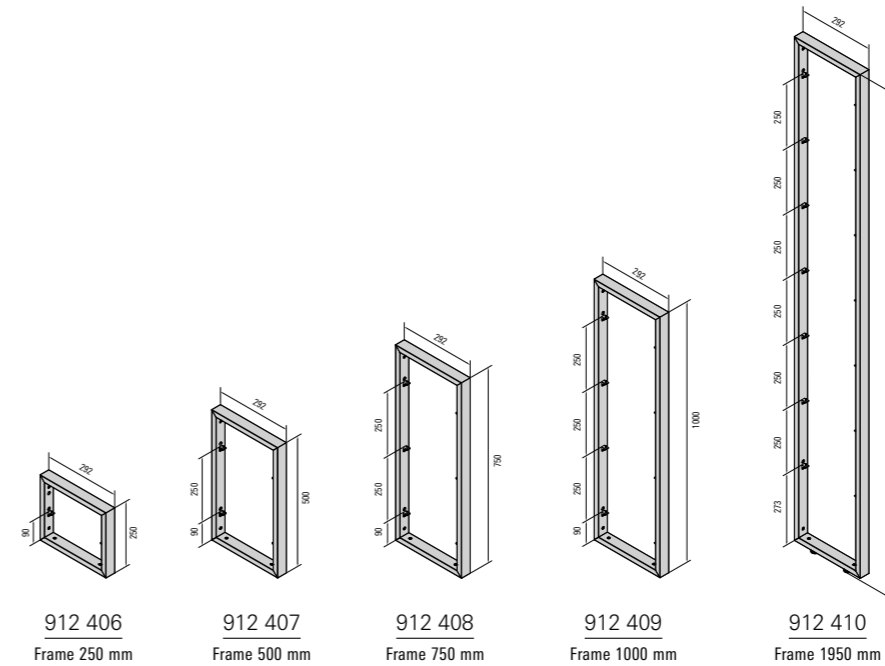


The Schüco Mandeo shelving system uses a simple principle to offer a number of design options. Robust aluminium profiles are used in this eye-catching frame system that enhances every living space. It provides additional storage space, showcases favourite pieces and is the perfect organisation system. Its design can be customised and extended as required.

Individual frames can be combined for a flexible arrangement and look. They can then be attached to the wall, freestanding, or a combination of the two. There are virtually no limits.

The robust shelving frames are available in black and anodised stainless steel, forming the basis for a custom design. When combined with the various finishes and colours of the shelves, they create a design feature that suits any taste and lifestyle.

Schüco Mandeo shelving system



Schüco Illumacube shelving system

Light in its most beautiful form

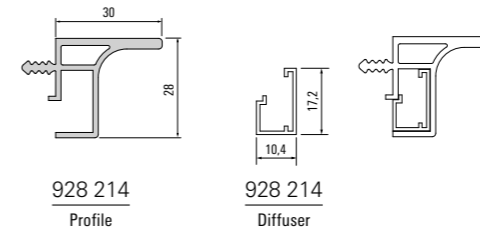


We want to showcase our personalities through the things we love – especially during these times when we are mostly at home. We like to show favourite pieces, items with personal value, and things that are important to us. With Illumacube, Schüco sets the stage for these open areas with continuous lighting in front of the carcass. The kitchen becomes a personal, inviting space, while the hidden lighting creates atmosphere, for easy living.

Kristina Meyer, byform produktdesign



Schüco Illumacube shelving system



Benefits

- Frame is mounted in front of a carcass as a unit
- Just one cable outlet
- Integrated power supply via the corner joint
- Light output not immediately visible



Schüco Illumacube showcases a piece of furniture, turns a cabinet into a stage, and adds ambience to a room. A frame with continuous light profile is mounted on a carcass as a unit to create ambient spaces with indirect lighting. Power is supplied via the corner cleats with just one cable outlet. This adds a homely touch to the kitchen, highlights design features in the bathroom, illuminates shelves with indirect lighting, and turns ornaments in a display cabinet into showpieces.

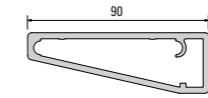
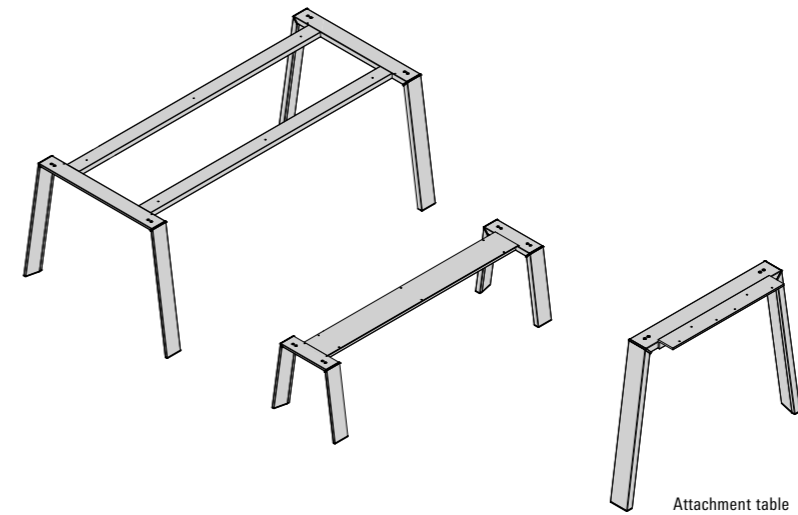
Schüco Cone stand system

Slender yet robust

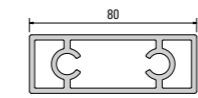


The striking front view contrasted with the slim profile face width are what set the Schüco Cone stand system apart. Visual presence meets effortless – something which is also clear in the combination of table and bench.

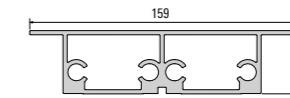
Schüco Cone stand system



911 047
Stand leg



911 048
Rectangular cross beam



911 049
Cross beam

Benefits

- High-quality stand system
- Concealed connections
- Can be a table, bench and sideboard substructure or attachment table
- Easy to assemble



Schüco Frame stand system

Sophisticated straight lines



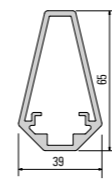
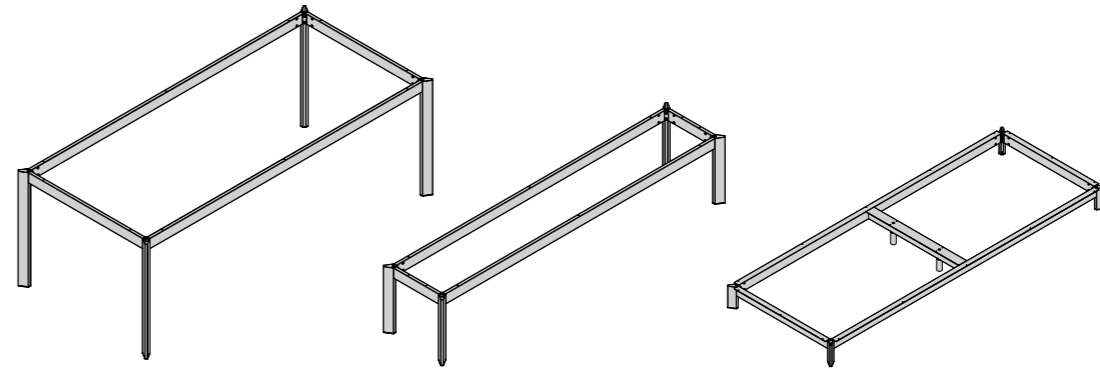
Endlessly flexible, this system holds almost anything and can bear extremely high loads, both as a table frame or base frame underneath a sideboard or kitchen unit. With its consistent straight lines, Schüco Frame fits in perfectly with a linear room design, rounding off the furnishings nicely.

Benefits

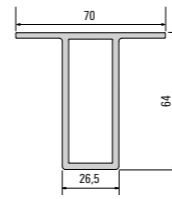
- High stability
- Clear language of form
- Can be used as a table, bench and furniture substructure or attachment table



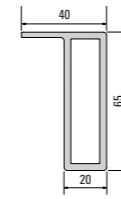
Schüco Frame stand system



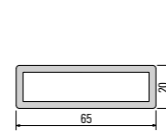
911 052
Stand leg



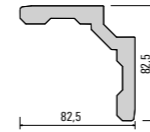
911 053
Centre cross beam



911 054
Base cross beam



911 051
Cross beam



928 438
Corner cleat



Schüco Stair furniture leg

Elegant yet robust



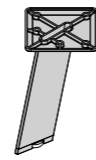
Lightness meets stability. You don't notice the robustness of Schüco Stair at first glance. It adds a complementary, slimline and elegant finish for a piece of furniture and also looks impressive as a table leg.

Benefits

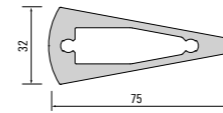
- Individual, slimline units convey a light, airy impression
- Height adjustment to level out unevenness of the ground
- Can be positioned under the piece of furniture in various ways



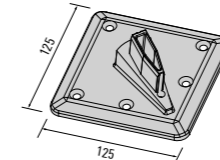
Schüco Stair furniture leg



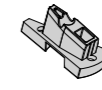
Kit



928 189
Profile



565 466
Bracket



565 457
End cap



Plinth system

Function on top form



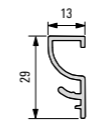
The Schüco plinth system adds an attractive finish to a kitchen. The high-quality aluminium plinth system features a high-tech appearance, with sophisticated technology that ensures optimum air circulation.

Benefits

- High-quality aluminium design
- Variable height and length
- Easy to attach to the kitchen base feet



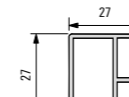
Plinth system



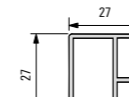
980 014
Plinth cover, top



980 015
Ventilation louvre blade



980 016
Plinth cover, bottom



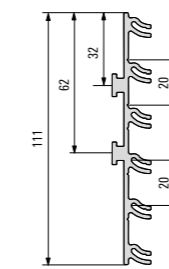
980 017
Angled bracket



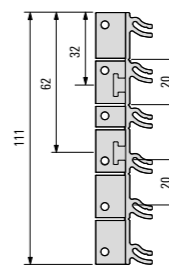
650 002
Sealing profile



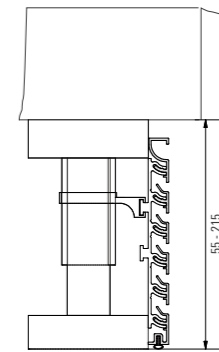
530 097
Installation clips



530 077
Plastic clip support



530 087
Plastic clip support, right/left



Ventilation cross-section:
54-490 cm²/m

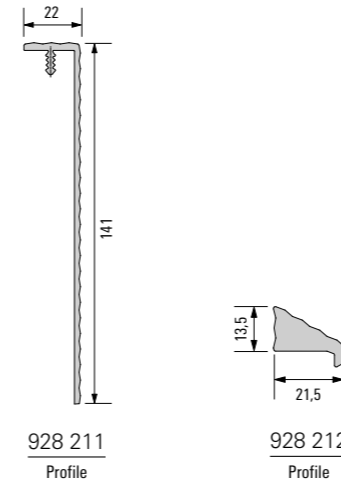


Schüco Divaro design cover

Light and shadow



Schüco Divaro design cover



Benefits

- Elegant relief structure
- Can be arranged individually
- Integrated screw fixing for attaching a handle
- A design feature that goes far beyond the possibilities of a handlebar



The Schüco Divaro design cover opens up completely new front views and creates both a visual and tactile experience. It lifts the overall appearance of a piece of furniture and living space, adding that certain je ne sais quoi. Elegant aluminium, an intriguing relief structure and wide range of options come together to form this design cover. A screw fixing is located at the bottom to make it easy to attach a handle.

Handlebars

Pleasing to the touch



Handlebars are a key feature in the overall impression of a kitchen, living room or piece of furniture. They are equally as effective as a discreet detail or striking design feature that gives the entire piece that special something.



Details make all the difference

Benefits

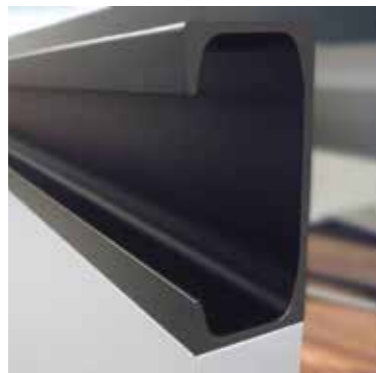
- Exclusive design
- Bespoke
- Anodising of individual handlebars

Handlebars

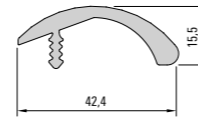
Playing with shapes



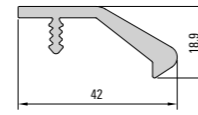
Whether straight, curved, combined with different contours or intriguing surface textures – find the perfect handlebar to suit your personal taste and style.



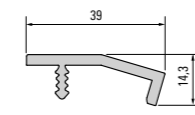
Handlebars



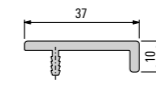
901 481
Kanza profile



901 482
Divido profile



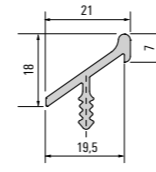
901 354
Kontur profile



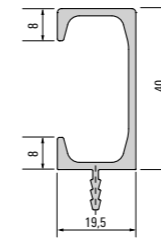
901 365*
Profile

Handlebars 901 365 is available from stock in silver, polished stainless steel and anodised black in packing units of 20.

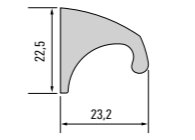
*Made-to-measure handlebars are available as packing units in the standard lengths 295 – 1195 mm.



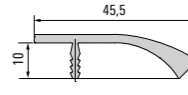
901 108
Ladeo profile



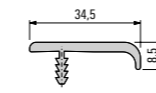
901 052
Reta profile



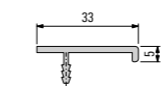
567 660
Denza profile



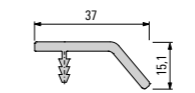
901 345
Profile



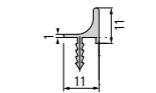
901 032
Profile



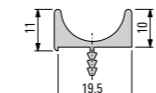
921 056
Profile



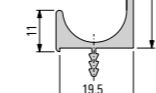
901 229
Profile



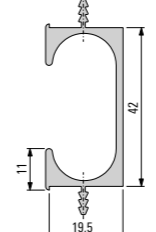
901 335
Profile



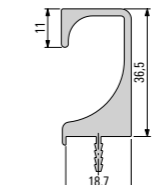
900 451
Profile



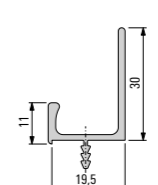
900 450
Profile



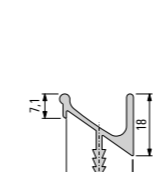
900 452
Profile



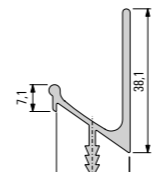
900 303
Profile



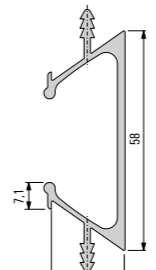
901 246
Profile



901 232
Profile



901 231
Profile



901 233
Profile



Concealed handlebars

More than meets the eye



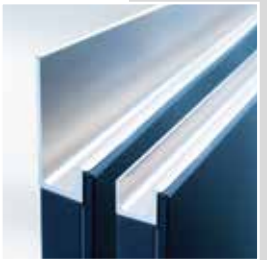
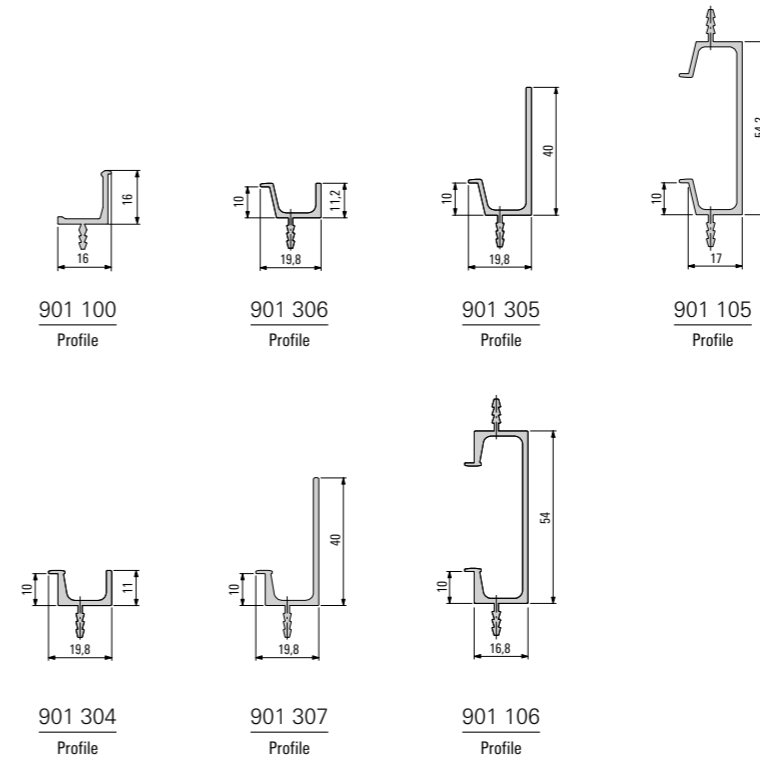
Yes to design, but with a discreet elegance. Concealed handlebars are the perfect answer to this. They maintain the flush look while their elegant profile face widths appear discreetly.

Benefits

- Handle-free appearance
- Maximum functionality
- Straight alignment



Concealed handlebars



Handle recess

When less is more

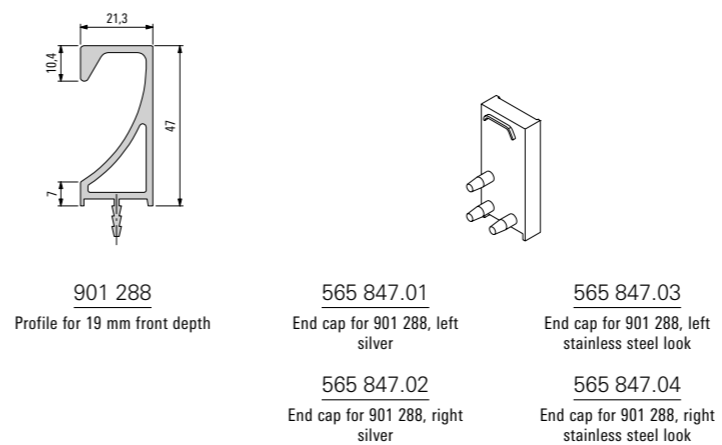
Handle recesses become one with the front panel. They make a statement while slotting in flush with the unit. They are technically perfect, with outstanding quality and ergonomics.

Benefits

- Can be produced in any length
- End caps are simply pushed on



Handle recess



Recessed handles

Looks good, feels good



With their minimalist, unembellished nature, recessed handles are perfect for handle-free style. Technically perfect and ergonomic, they meet the need for top quality and convenience.

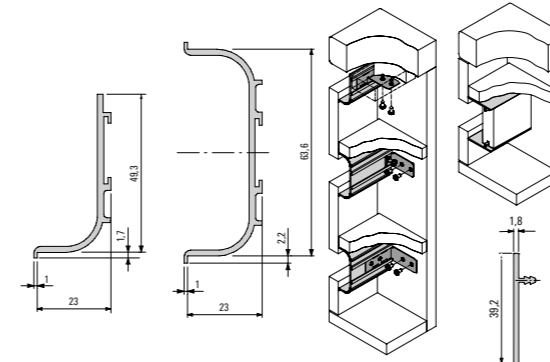
Benefits

- Complete accessories in high-quality, painted design
- Profiles available for the corner carousel cabinet and integrated dishwasher
- End caps and inner and outer corners are available
- Corner chevron for 135° solutions
- LED light strip option
- Integrated cable duct



Recessed handles

Horizontal orientation

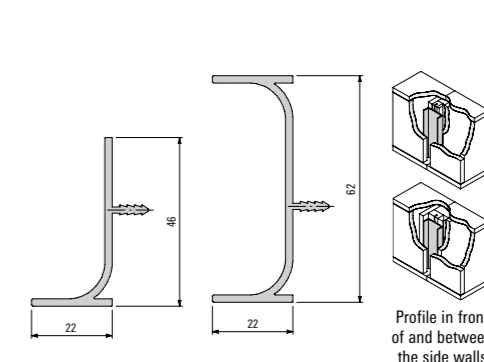


901 014
Profile

901 013
Profile

901 053
Profile

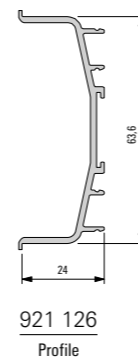
Vertical orientation



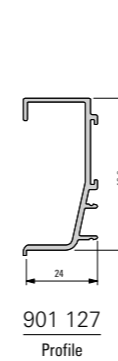
901 009
Profile

901 010
Profile

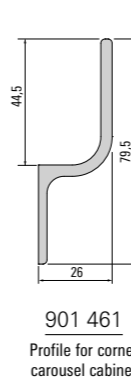
Profile in front of and between the side walls



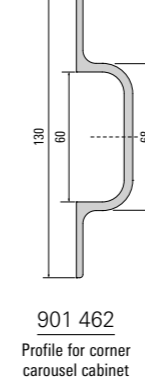
921 126
Profile



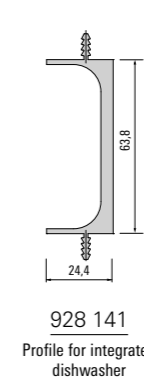
901 127
Profile



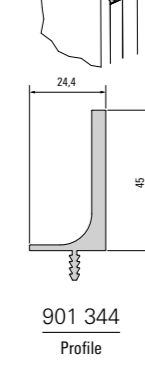
901 461
Profile for corner carousel cabinet



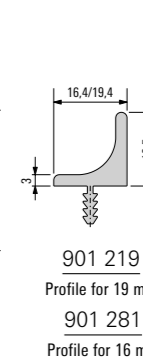
901 462
Profile for corner carousel cabinet



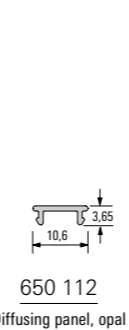
928 141
Profile for integrated dishwasher



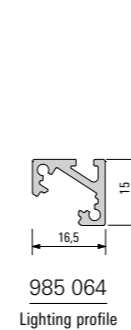
901 344
Profile



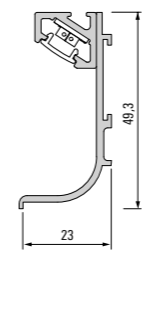
901 219
Profile for 19 mm
901 281
Profile for 16 mm



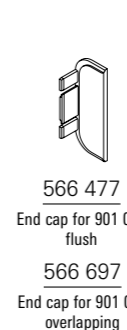
650 112
Diffusing panel, opal



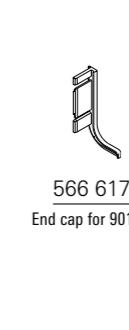
985 064
Lighting profile



566 447*
End cap for 901 014 flush
566 707
End cap for 901 014 overlapping



566 477
End cap for 901 013 flush
566 697
End cap for 901 013 overlapping

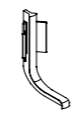


566 617*
End cap for 901 014



566 607
End cap for 901 013

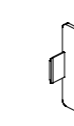
*Left hand and right-hand design available



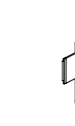
566 587
Corner for 901 014 inner



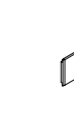
566 597
Corner for 901 013 inner



566 927.01
End cap for 901 126



566 737.01
End cap for 901 127 right



566 687
End cap for 901 126



566 637.01
End cap for 901 127 right



566 757.01
Corners for 901 126 inner



566 727.01
Corners for 901 127 inner



566 517
Corner for 901 014 outer



566 527
Corner for 901 014 outer



566 747.01
End cap for 901 127 left



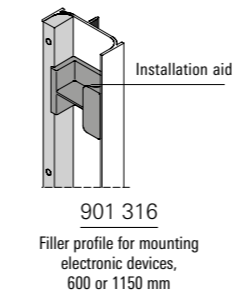
566 637.02
End cap for 901 127 left



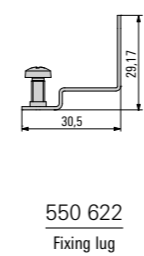
566 767.01
Corners for 901 126 outer



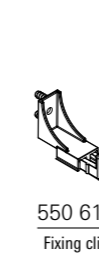
566 717.01
Corners for 901 127 outer



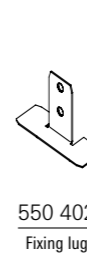
901 316
Filler profile for mounting electronic devices, 600 or 1150 mm



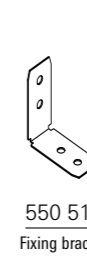
550 622
Fixing lug



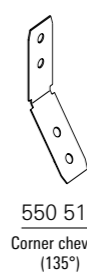
550 617
Fixing clip



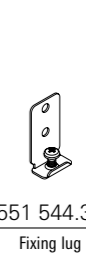
550 402
Fixing lug



550 512
Fixing bracket



550 511
Corner chevron (135°)



551 544.30
Fixing lug

Glass frame systems

Form meets function



Glass frame systems

928 100
Graphic profile

901 081
Profile

901 078
Profile

901 222
Pull grip

923 087
Profile

923 150
Profile

923 051
Profile

923 155
Profile

901 070
Profile

980 004*
Profile

980 037**
Profile

550 764.98
Corner cleat

550 484
Corner cleat

532 917
PEVA rattle protection

650 010
Gasket for profile 923 150

532 837
Moisture seal for profile 923 087

* For Salice Air fitting
** For Grass Tiomos H, T-Slim fittings

The creative arrangement options and different surface finishes turn these glass frame systems into real design features. They add a special, elegant touch to any room, wherever and however they are arranged. Available in different profile cross-sections and surface finishes. The new retaining profile, which can be used in conjunction with the new glass frame profiles 980 004 and 980 037, makes it easier to insert the fittings without extensive carcass work.

Benefits

- Particularly elegant look
- Different profile cross sections available
- Can be installed as a top-hung, side-hung, double or sliding door



Glass frame profiles – bonded panes

They look as if they are floating

Lightness and transparency are on trend. The frame profiles for furniture fronts are perfect for this. Its bonded panes or a mount with a clear glass pane create a unit that appears to float.



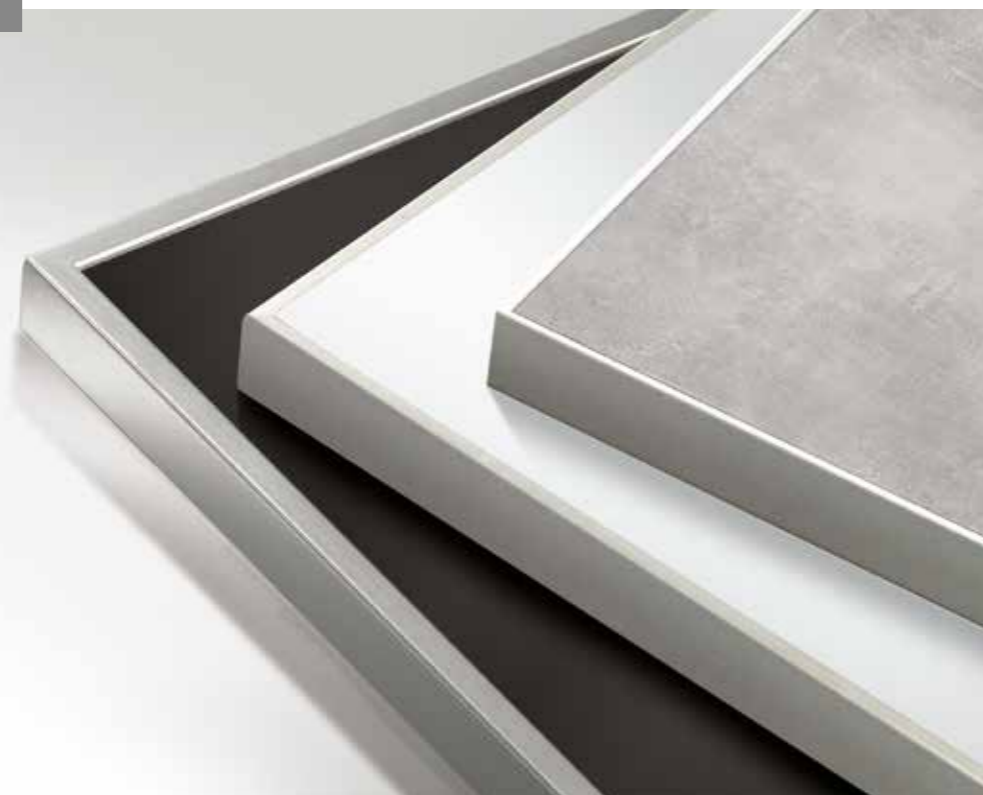
Benefits

- Exclusive look
- Bonded glass panes provide invisible support for the frame

Edge and front frame profiles

The best protection

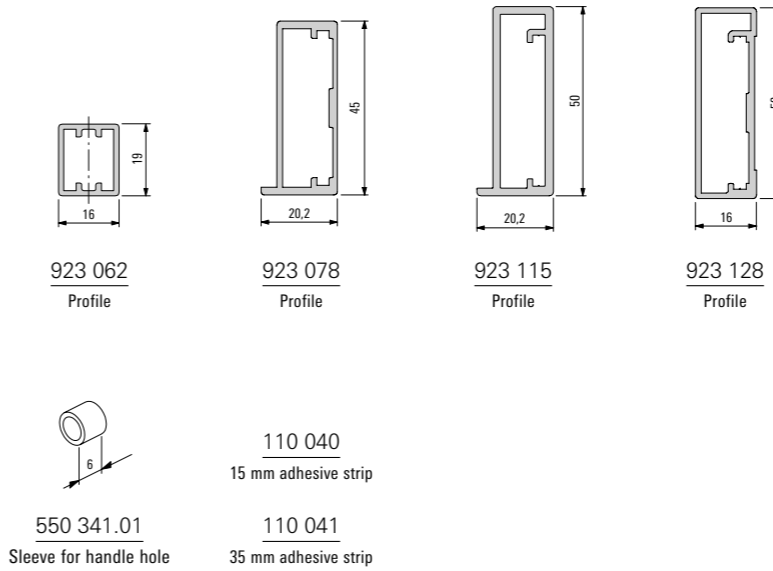
A decorative feature that protects. The design of the aluminium profiles is stylish, while their functionality is extremely practical, with high stability and concealed mitres.



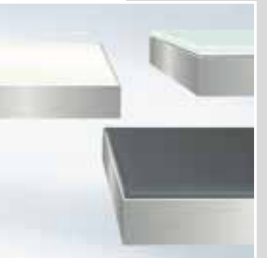
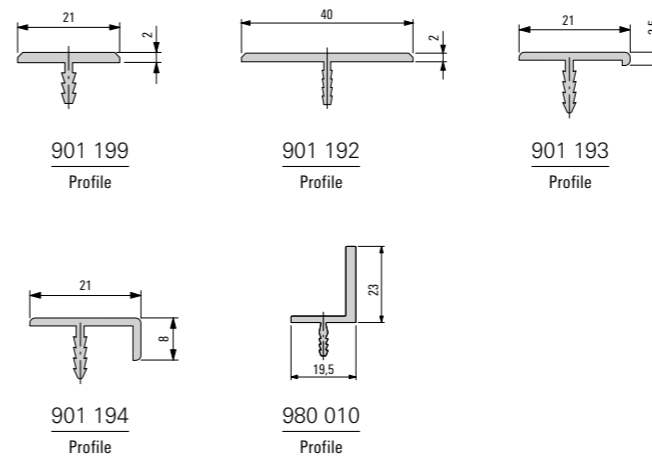
Benefits

- Attractive edge cover
- Narrow visible surfaces

Glass frame profiles – bonded panes



Edge and front frame profiles



Schüco Kreativo wall system

Creativity without limits

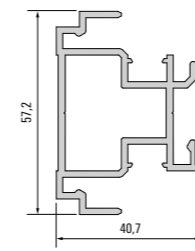
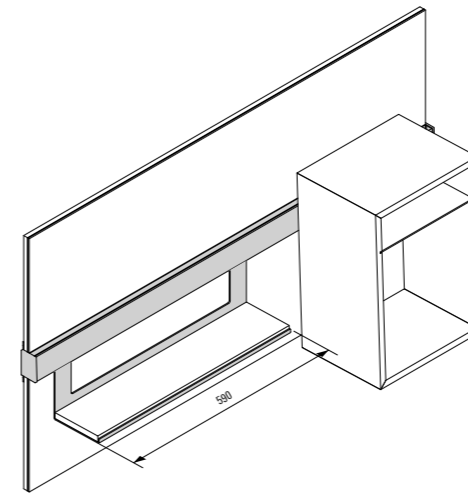


Schüco Kreativo adds a special touch of character to entire rooms, creating structure in the kitchen, living room and office alike. Depending on requirements, a wide selection of practical, attractive accessories is available.

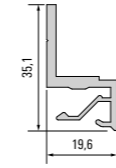
Benefits

- Open display
- High flexibility
- Optional lighting possible

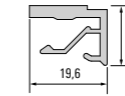
Schüco Kreativo wall system



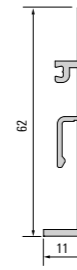
928 160
Base support



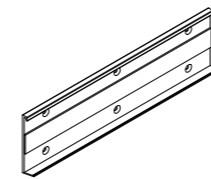
928 161
Panel support



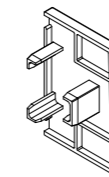
928 162
Cover strip



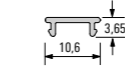
928 163
Cover and support strip



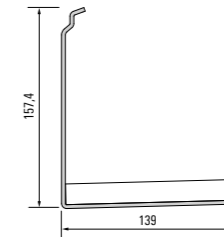
928 165.70.99
250 mm mounting rail



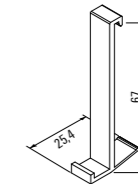
553 847.66
End cap, left
553 857.66
End cap, right



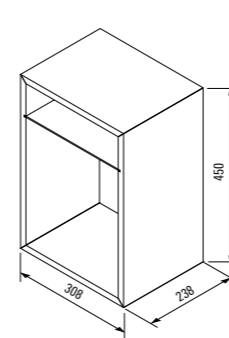
650 112
Opal dispersing lens



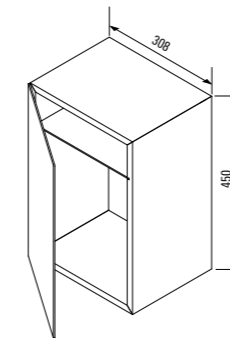
928 431
Shelf base



928 164
Hook



928 411
Box, open



928 432
Box with door



Midway system 16

Cast from the same mould



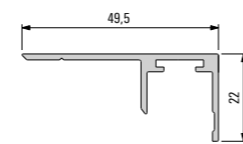
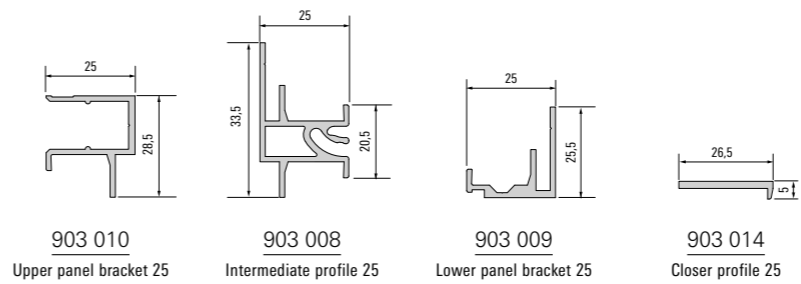
The midway system 16 is ideally suited to usage in classic recessed areas. It creates a clean transition to the worktop and can also be used as practical wall cladding. It can hold all manner of utensils. With its elegant appearance, the midway system blends in with any room design.



50

Midway and wall systems

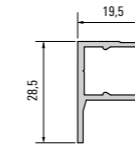
Midway system 16



925 364.61.99

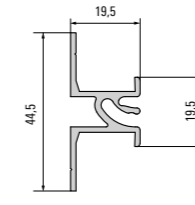
Upper panel bracket

Material: Aluminium profile
Surface finish: E6/EV1
anodised silver
PU: 20 units
each 4100 mm long



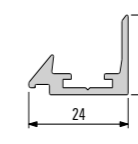
928 138

Top profile



985 007

Intermediate profile



925 365.61.99

Lower panel bracket

Material: Aluminium profile
Surface finish: E6/EV1
anodised silver
PU: 20 units
each 4100 mm long



902 492

Track profile for panels

Material: Aluminium profile
Surface finish: E6/EV1
anodised silver
PU: 3 m bar profiles
From 100 running metres

533 507.17 right
533 517.17 left

Upper end cap

Material: Plastic
Surface finish: Silver
PU: 20 units

533 527.17 right
533 537.17 left

Lower end cap

Material: Plastic
Surface finish: Silver
PU: 20 units

567 257.17

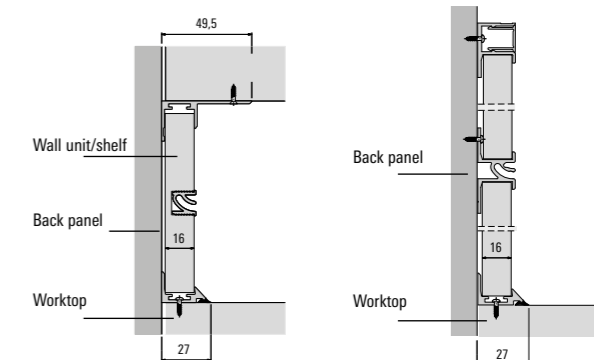
Push-in gasket

Material: Plastic
Surface finish: Silver
PU: 100 running metres

533 547.67

90° corner

Material: Plastic
Surface finish: Silver
PU: 20 units



Benefits

- Smooth transitions between worktop and wall cladding
- Durable even under extreme conditions
- Seals prevent moisture ingress
- Simple installation without drilling holes in the wall
- Use of 16 mm thick panels
- Versatile accessories available



51

Midway and wall systems

Midway system 4-18

A real "all-rounder"



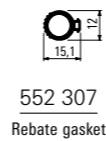
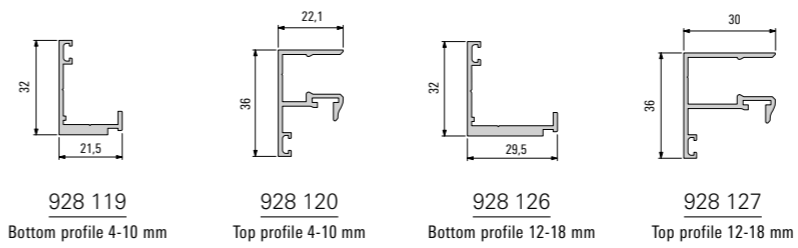
With the midway system 4-18, the rear wall is also incorporated in the overall room design. A choice of timber or glass infills with a material thickness of up to 18 mm can be used. The available LED lighting creates more atmosphere. The range of different accessories are practical additions.



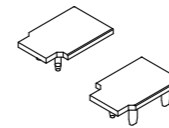
Benefits

- For material thicknesses from 4 to 18 mm
- LED lighting possible
- Can be used as midway cladding and wall panels
- Versatile accessories available

Midway system 4-18



552 307
Rebate gasket



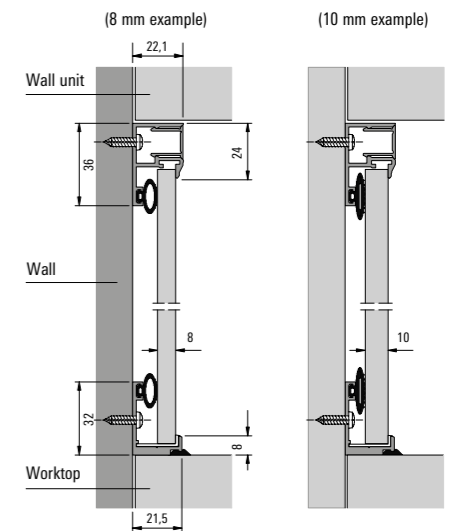
530 017
End caps, left
530 027
End caps, right



650 101
Edge protection

567 257.17
Push-in gasket
Material: Plastic
Surface finish: Silver
PU: 100 running metres

Niche mounting



Panel system

Multitalented



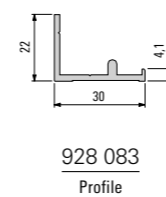
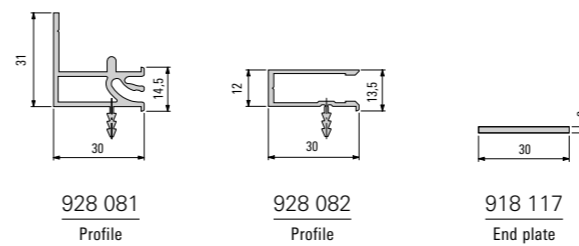
The panel system meets many different requirements for individual use, and its attractive appearance always enhances different living spaces. The accessories can be used in a number of different ways and can hold heavy objects too.



Benefits

- Panels from 16 to 21 mm can be used
- A number of usage options in the living and working environment
- Easy to install without special tools
- Versatile accessories

Panel system

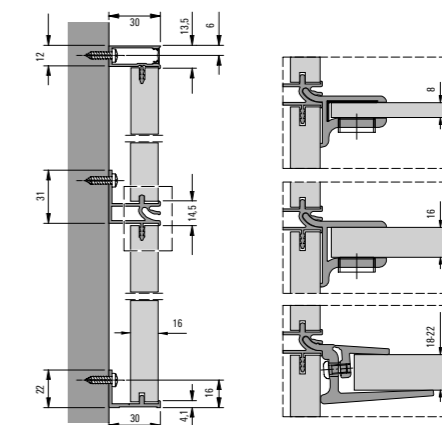


928 083
Profile



924 015
Groove cover profile

Wall-mounted installation



Schüco Groove hanging rail

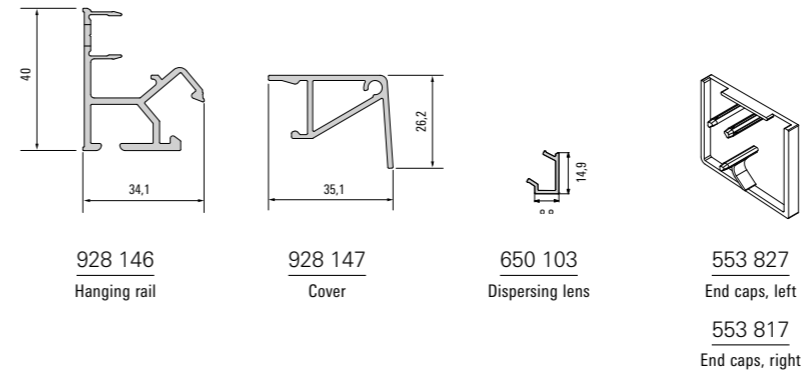
The perfect storage for everything



The Schüco Groove hanging rail is at the heart of the versatile accessories. With its discreet look, it can hold any item you need to grab quickly. The lighting above gives it a pleasant radiance.



Schüco Groove hanging rail



Benefits

- Elegant design
- LED strip adds attractive lighting accents
- Works perfectly with the Schüco Groove wall attachment profile
- Versatile accessories available



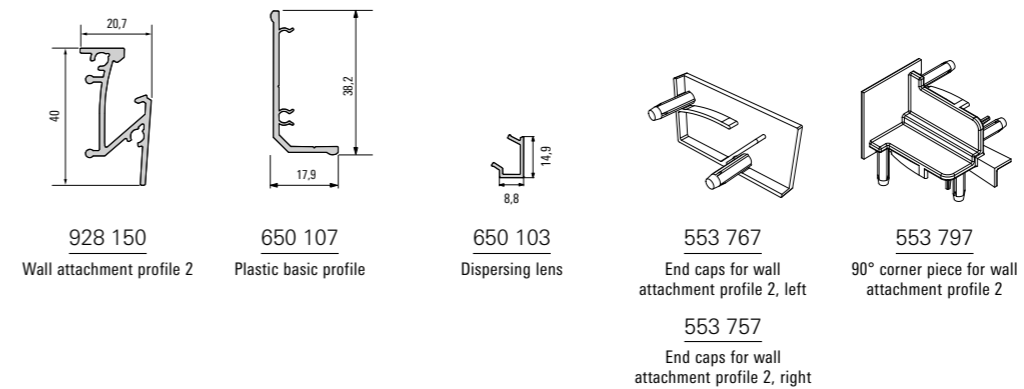
Schüco Groove wall attachment profile

Smooth transitions

The Schüco Groove closer profile creates an attractive connection between the rear wall and worktop. The lighting adds additional drama.



Schüco Groove wall attachment profile



Benefits

- Stylish design feature for any kitchen
- Integrated LED lighting
- Can be installed on the wall or worktop

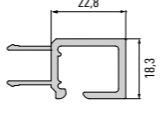
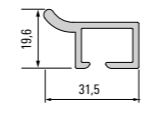
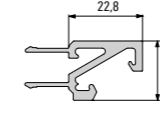
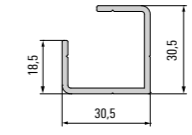
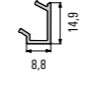
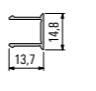
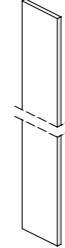

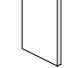
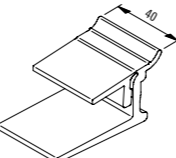
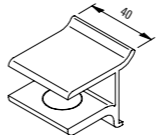
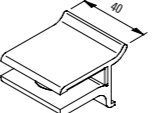
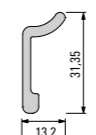
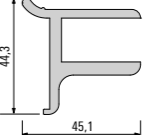
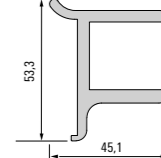


Accessories for midway and wall systems

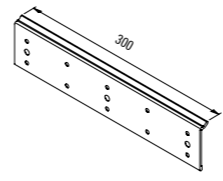
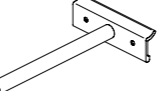
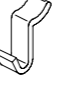
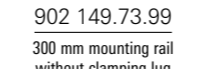
We've thought of everything



Accessories for midway and wall systems

 928 129 Linero system rail	 928 058 Linero function strip	 928 130 Lighting profile	 928 128 Corner profile
 650 103 Dispersing lens	 928 121 Cover profile	 908 150 End plates, flat profile, 20 x 2 mm	
		 980 022 End plates, flat profile, 22 x 2 mm	
		 918 117 End plates, flat profile, 30 x 2 mm	
 928 069.70.99 Bracket for timber base 18-22 mm	 902 605.61.99 Bracket for timber base 16 mm	 902 625.61.99 Bracket for glass base 8 mm	 902 150 Mounting profile for panel bolt
			 902 181 Support profile for 16 mm base
			 903 011 Base support profile 25 mm








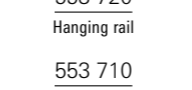
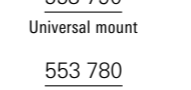
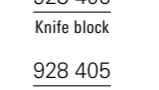
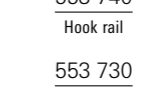
 928 091.73.99 300 mm mounting rail with clamping lug	 902 622.00.99 Base support	 902 273.70.99 Attachment hook
 902 149.73.99 300 mm mounting rail without clamping lug		

Where do you put all those kitchen utensils?
This will no longer be an issue thanks to our range of accessories which covers everything – from knife block and roll holder through to hook rail, and much more.

Benefits

- Perfectly tailored to the Schüco Groove hanging rail and the midway systems
- Varied range to meet any requirement
- High quality and stability
- Accessories suitable for the Linero holding rail



 928 407 Roller holder	 553 720 Hanging rail	 553 790 Universal mount	 928 406 Knife block	 553 740 Hook rail
	 553 710 Hanging rail, closed	 553 780 Universal mount, closed	 928 405 Knife block, closed	 553 730 Hook rail, closed

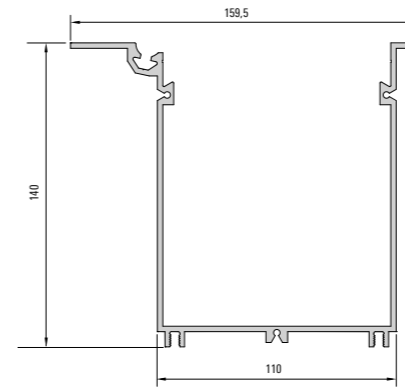
Schüco Tara storage recess

Two in one

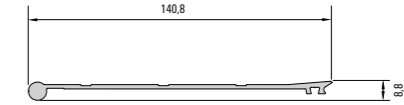
It's what's inside that counts



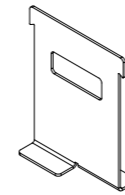
Schüco Tara storage recess



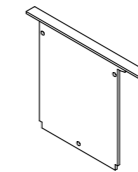
928 151
Trough



928 152
Cover



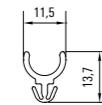
553 850
Partition wall



928 416
End bracket



566 787
Gasket cord \varnothing 4.0 mm



650 111
Bracket



The first benefit: Schüco Tara stores all the kitchen utensils that need to be stowed away. The second benefit: It is fully integrated in the work surface, taking up no space.

Benefits

- More storage space
- High functionality
- Easy to install
- Easy to retrofit



553 802
Worktop tray



928 410
Bottle holder

Lighting profile

Highlight

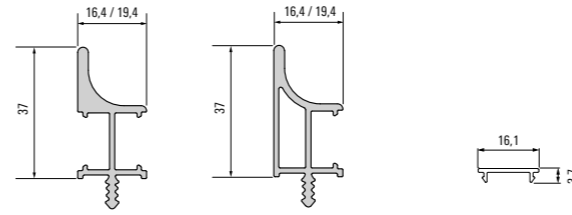
We all know that light gives each room a special ambience. Indirect lighting creates a comfortable, warm environment, making a kitchen look homely or providing functional lighting when placed correctly. The lighting profiles can be positioned both in the wall unit and in a recess.

Benefits

- Discreet design
- Functional and ambient lighting



Lighting profile



928 143
Profile for 16 mm

928 145
Profile for 16 mm

650 108
Dispersing lens, clear

928 142
Profile for 19 mm

928 144
Profile for 19 mm

650 109
Opal dispersing lens



CD and DVD rack

Practical, quick and easy

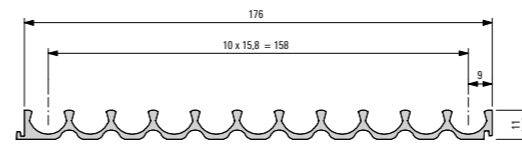
You can quickly and easily organise and find the CD or DVD you're looking for. The racks can be expanded as required and integrated in any furniture system.

Benefits

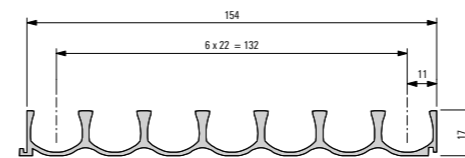
- Easy organisation of your CDs and DVDs
- Can be integrated in any furniture system
- Can be expanded as required



CD and DVD rack



902 519
CD rack for 11 CDs



902 563
DVD rack for 7 DVDs



Connecting profiles for worktops

Chic and neat

Aluminium connecting profiles are the perfect solution for small offsets at an intersection between two rounded worktops. This eliminates the need for mitred and shaped cuts.

Benefits

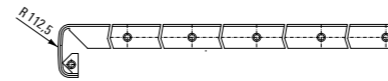
- Clean connections at corner joins
- No need for mitre cuts
- Can be used on the right and left



Connecting profiles for worktops



910 200
Profile cross-section
for finished components



901 843
Length: 601 mm



Carcase corner cleat profiles

Perfectly concealed

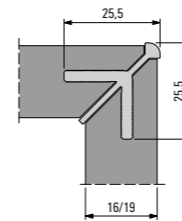
Want that perfect finish for your mitred edges? Look no further – carcase corner cleat profiles can fill this gap and provide an additional design feature.

Benefits

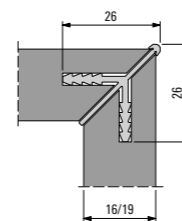
- Function meets elegant design
- Streamlined design



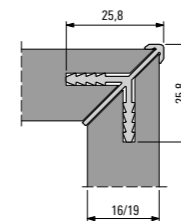
Carcase corner cleat profiles



902 288
Profile for 19 mm



921 012
Profile for 16 mm



921 013
Profile for 16 mm

921 014
Profile for 19 mm

921 015
Profile for 19 mm



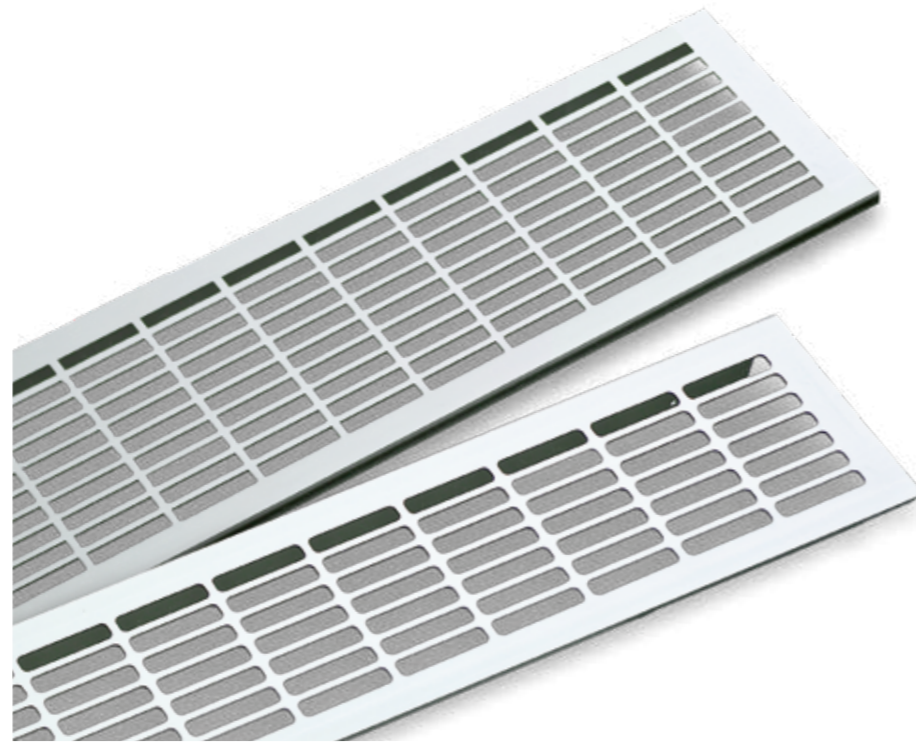
Ventilation grille

Well ventilated – always

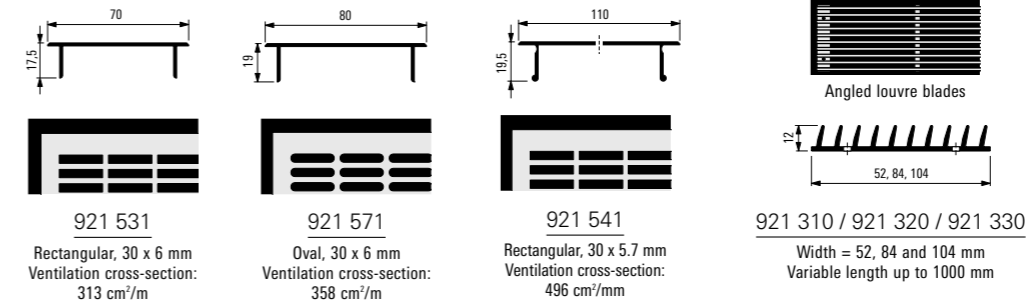
In addition to meeting technical and functional requirements, the ventilation grilles feature an attractive design, and are robust and easy to clean.

Benefits

- Can be adapted to suit any furniture design
- High-quality, robust, easy-care material
- Easy to install and dismantle



Ventilation grille



Roller shutter systems

Rolling on quietly

As it should be – silent, easy and technically perfect – these roller shutter systems meet all your needs. Up and down, horizontally and vertically. They also look great to boot!

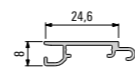
Benefits

- Smooth operation
- Horizontal and vertical installation possible



Roller shutter systems

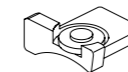
Shutter design



902 329
Slat profile, smooth

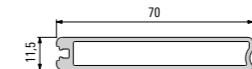


650 088
Retaining profile



565 907.05
Slat end cap, left
565 907.06
Slat end cap, right

End profile

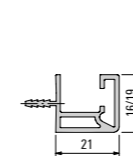


902 290
End profile 12

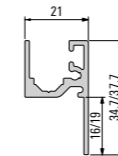
551 947.03
End cap for profile, right

551 947.04
End cap for profile, left

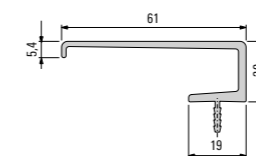
Unit accessories



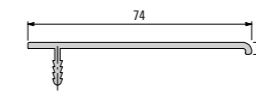
925 079
Guide profile for counterbalance, 19 mm, unit side



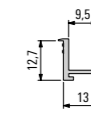
925 063
Guide profile for spring mechanism, 19 mm, unit side



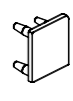
925 062
Cover profile



921 080
Cover profile



650 079
Plastic guide track



552 677.03
Cover cap for guide profile 925 079, left

552 677.04
Cover cap for guide profile 925 079, right



Notes

Your area sales manager will be happy to give you more information about stock availability, sizes, purchase quantities etc. Many of our collection articles, colours and sizes can be produced for you on an order-specific basis. We will be happy to advise you about minimum order quantities, delivery times and available stock.

P4507/EN/04.22/Printed in Germany

We reserve the right to make changes and to correct errors.

Products may differ from illustrations.

The "Schüco" logo and other logos are protected in Germany and various international markets. Detailed information is available on request.

Changing living spaces



Schüco supplies a range of room design and furniture systems which meet all the requirements for openness, transparency and multifunctionality, while following the latest living and style trends. Sophisticated product concepts are the perfect foundation for dissolving space limitations, furnishing rooms and allowing new spaces to merge. The systems can be combined and expanded in any way you like. The range also features an extensive choice of accessories for all types of application in various living environments.

70 years of Schüco – System solutions for windows, doors and façades

Based in Bielefeld, the Schüco Group develops and sells system solutions for windows, doors and façades. With 5650 employees worldwide, the company strives to be the industry leader in terms of technology and service both now and in the future. In addition to innovative products for residential and commercial buildings, the building envelope specialist offers consultation and digital solutions for all phases of a building project – from the initial idea through to design, fabrication and installation. Schüco works with 12,000 architectural practices, fabricators and construction professionals who commission buildings around the world. Founded in 1951, the company is now active in more than 80 countries and achieved a turnover of 1.695 billion euros in 2020. For more information, visit www.schueco.com

SCHÜCO

Schüco Interior Systems KG

Werk Borgholzhausen

In der Lake 2, D-33829 Borgholzhausen, Tel. +49 5425 12-0, Fax +49 5425 12-236

interior-systems@schueco.com, www.schueco.com/interior-systems